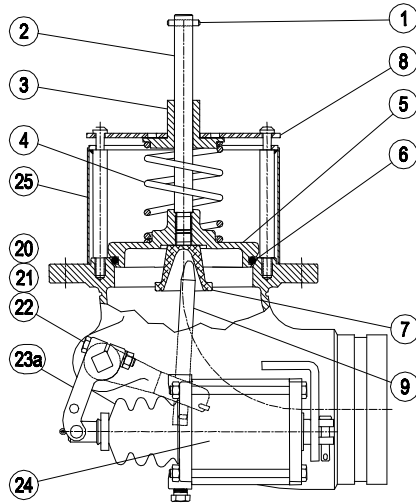


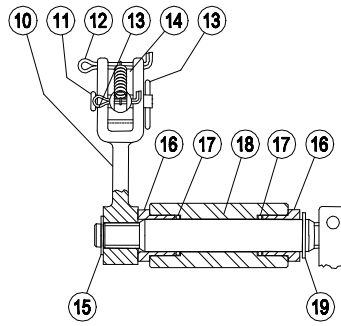
**PARTS LIST**

# Emergency Valve

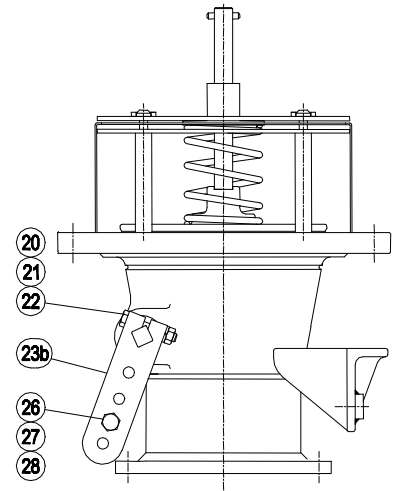
## Tapered Seat 4" & 6"x4"



**Air Operated**



**Stuffing Box Detail**



**Cable Operated**

NO.	REQ.	DESCRIPTION	MATERIAL	PART NO.	
				4" VALVE	6"x 4" VALVE
1	1	Bail Pin 3/16 dia. X 1"	Stnls 18-8	9Q5901	9Q5901
2	1	Stem	Stnls 316	27415SS	27415SS
3	1	Spring Washer & Shaft Guide	Teflon W/Glass	19180TG	19180TG
4	1	Spring	Stnls 316	18222SS	18222SS
5	1	O-Ring Holder	Aluminum	27413AL	27412AL
6	1	O-Ring Seat	Tef - Sil	19028TS	18872TS
7	1	Lift Cup	Stnls 316	19178SS	19178SS
8	1	Bonnet Plate	Stnls 316	27017SS	27184SL
9	1	Lift Stem	Stnls 316	19179SS	19179SS
10	1	Lift Arm	Stnls 316	27414SS	27414SS
11	1	Clevis Pin 1/4 x 1-1/8	Stnls 303	9Q4727	9Q4727
12	1	Cotter Pin 1/8 x 1-1/4	Stnls 316	9Q4939	9Q4939
13	2	Cotter Pin 3/32 x 1-3/4	Stnls 304	9Q5866	9Q5866
14	1	Lift Spring	Stnls 302	19183SL	19183SL
15	1	Retaining Ring - Cam Shaft	Stnls	9Q4933	9Q4933
16	2	Spacer Sleeve	Teflon W/Glass	19034TG	19034TG
17	2	O-Ring Cam Shaft	Tef-Sil	17946TS	17946TS
18	1	Cam Shaft	Stnls 316	27332SS	27332SS
19	1	Retaining Ring - Cam Shaft	Stnls	9Q4970	9Q4970
20	1	Bolt 1/4-20UNC x 1.50 lg.	Steel - Zinc Plt.	9Q5947	9Q5947
21	1	Lockwasher 1/4"	Steel - Zinc Plt.	9Q5845	9Q5845
22	1	Hex Nut 1/4-20UNC	Steel - Zinc Plt.	9Q5806	9Q5806
23a	1	Lever Arm - Air	Steel "E" Coated	18366EY	18366EY
23b	1	Lever Arm - Cable	Steel "E" Coated	10587EY	10587EY
24	1	Air Cylinder Assembly	Aluminum/Buna	AC35005ALB	AC35005ALB
25	1	Screen - Optional	Stnls 304	18969SL	18935SL
26	1	Bolt 5/16-18UNC x 1 lg.	Steel - Zinc Plt.	9Q5829	9Q5829
27	1	Lockwasher 5/16"	Steel - Zinc Plt.	9Q5847	9Q5847
28	1	Hex Nut 5/16-18UNC Thd.	Steel - Zinc Plt.	9Q5808	9Q5808

**WARNING** Use only genuine BETTS INDUSTRIES INC. replacement parts. Use of substitute parts can impair the proper functioning of this product.